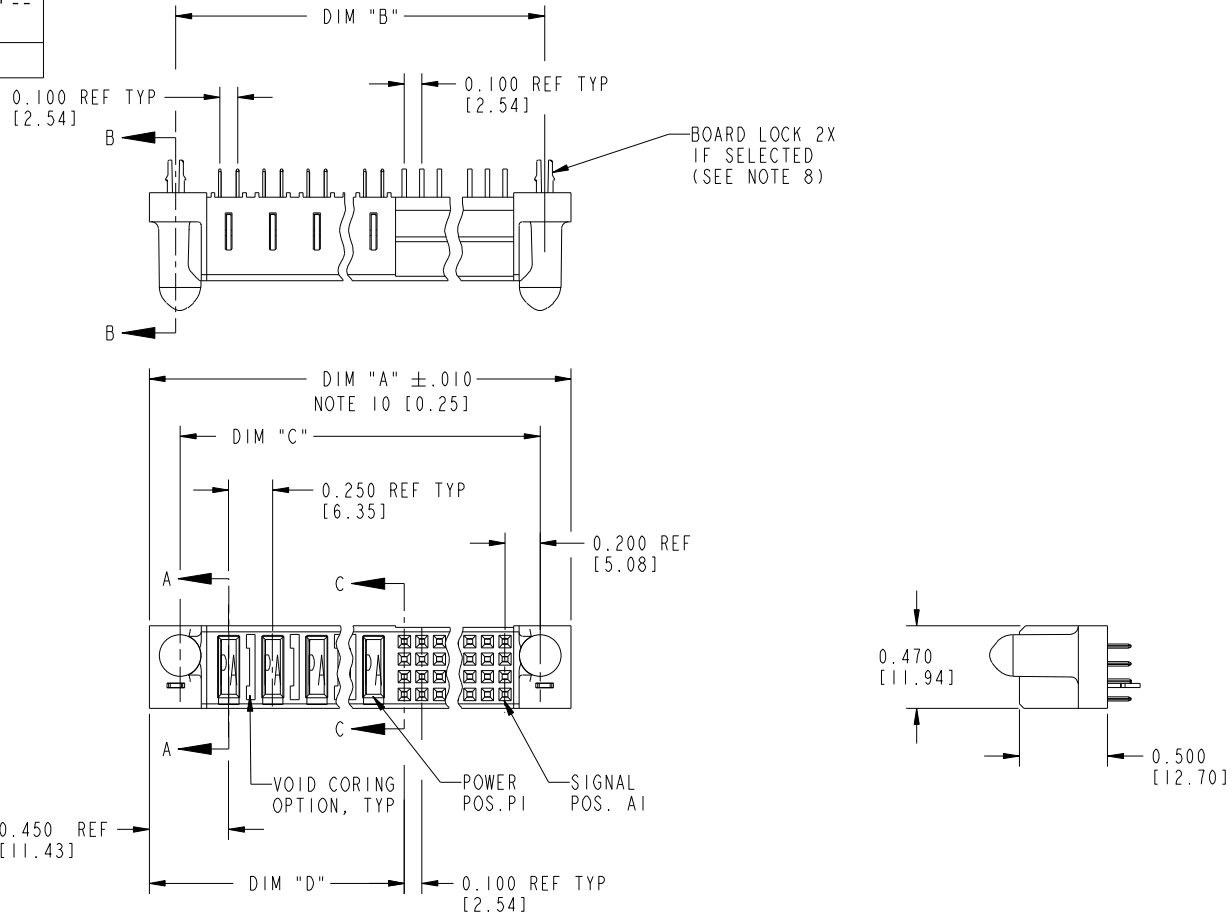


Tous droits strictement réservés. Reproduction ou communication à des tiers interdite sous quelque forme que ce soit sans autorisation écrite du propriétaire. Propriété de c FCI. Droits de reproduction FCI.



All rights strictly reserved. Reproduction or issue to third parties in any form whatever is not permitted without written authority from the proprietor. Property of FCI. Copyright FCI.

PRODUCT NUMBER
51741-A00CCDDDEF -- NOTE ①
SEE NOTE 1



mat'l code				SEE NOTE 2		tolerances unless otherwise specified		CUSTOMER		 www.fciconnect.com		
ltr	ecn no.	dr	date	linear	.XX±.01/0.XX±0.3		COPY		title VERTICAL RECEPTACLE W/ GUIDE PIN SIGNAL / POWER			
H	DG05-0076	SW	04/11/05		.XXX±.005/0.XX±0.13		projection					
J	DG05-0153	SJ	06/09/05	angles	.XXX±.0020/.XX±.051				product family PWRBLADE			
K	DG05-0479	CS	11/18/05		0°±2°		INCH/MM scale 1:1					size A
L	DG08-0239	JC	09/11/08	dr	D. EATON	05-25-99	scale 1:1		product family PWRBLADE		code 213	
				enr	J. BROWN	05-24-99	size A		product family PWRBLADE		code 213	
				chr	J. BROWN	05-26-99	size A		product family PWRBLADE		code 213	
				appd	J. BROWN	05-26-99	size A		product family PWRBLADE		code 213	
sheet index		revision sheet		L	L	L	size A		product family PWRBLADE		code 213	
				1	2	3	size A		product family PWRBLADE		code 213	

cage code 22526

Pro/E

Tous droits strictement réservés. Reproduction ou communication à des tiers interdite sous quelque forme que ce soit sans autorisation écrite du propriétaire. Propriété de c FCI. Droits de reproduction FCI.



All rights strictly reserved. Reproduction or issue to third parties in any form whatever is not permitted without written authority from the proprietor. Property of FCI. Copyright FCI.

PRODUCT NUMBER
51741-A00CCCDDEF -- NOTE ①
SEE NOTE 1

DIM	LENGTH FORMULAS (SEE NOTE 10)
DIM "A"	.250 [6.35] x DD + .100 [2.54] x (CCC/4) + .650 [16.51] (NOTE 10)
DIM "B"	.250 [6.35] x DD + .100 [2.54] x (CCC/4) + .350 [8.89]
DIM "C"	.250 [6.35] x DD + .100 [2.54] x (CCC/4) + .300 [7.62]
DIM "D"	.250 [6.35] x DD + .375 [9.53]
DIM "F"	.250 [6.35] x DD + .100 [2.54] x (CCC/4) + .680 [17.27]
DIM "G"	.250 [6.35] x DD + .225 [5.72]

CONNECTOR NOTES

- PRODUCT NUMBER CODE:
51741 - A 00 CCC DD E F LF

 - NO THIS SUFFIX: 100u"/2.54um SnPb ON PCB INTERFACE
 - ADD THIS SUFFIX: 78u"/2.00um Sn ON PCB INTERFACE
 - RETENTION TO PCB (NOTE 8)
 - TAIL OPTIONS (NOTE 7)
 - NUMBER OF LEFT END POWER CONTACTS (NOTE 6)
 - NUMBER OF SIGNAL CONTACTS (NOTE 5)
 - ALWAYS '00' (ZERO, ZERO) (NOTE 4)
 - PLATING (NOTE 3)
 - BASE NUMBER
- HOUSING MATERIAL: GLASS FILLED V-O HIGH TEMP THERMO PLASTIC.
SIGNAL CONTACT MATERIAL: COPPER ALLOY
POWER CONTACT MATERIAL: COPPER ALLOY
- PLATING OPTION:
1 = SEE PRINT 10064183 FOR PLATING SPEC OF 51741-100CCCDDEF; 51741-100CCCDDEFLF
- THIS PART NOT AVAILABLE WITH RIGHT SIDE POWER CONTACTS.
- SIGNAL CONTACTS, 004 TO 148 AVAILABLE.
- LEFT END POWER CONTACTS, 01 TO 20 AVAILABLE.
MAXIMUM OF 20 POWER CONTACTS PER CONNECTOR.
- TAIL OPTIONS:
A = .135±.010 [3.43±.25] SOLDER TO BOARD
C = .135±.010 [3.43±.25] PRESS FIT

- RETENTION TO PCB OPTIONS:
A = BOARD LOCK (REQUIRES .098 + .002, -.001 [2.49 +0.05, -0.03] THRU HOLE IN PCB)
BOARD LOCK TO BE USED IN CONJUNCTION WITH AN .092 PCB OR THICKER.
C = NO RETENTION FEATURE (ALL PRESS FIT).
 - MANUFACTURE'S NAME, P/N, AND DATE CODE TO APPEAR ON THIS SURFACE.
 - THE MAXIMUM OVERALL LENGTH (DIM A) OF A PART IS 8.00 [203.2].
 - PRODUCT SPECIFICATION GS-12-149.
 - REFERENCE 51698 FOR SPECIALS WORKSHEET.
- PCB NOTES:
- ALL DIMENSIONS ARE BASIC UNLESS OTHERWISE SPECIFIED.
 - ALL THROUGH HOLES ARE LOCATED WITH A TRUE POSITION OF .004 [0.01]
 - ALL HOLE DIAMETERS ARE FINISHED HOLE SIZE.
 - 0.0453±.001 [1.151±.02] DRILLED HOLES PLATED WITH 0.0003 [0.007] MIN SnPb OVER 0.001 [1.03] TO .003 [0.08] PLATING TO ACHIEVE A .040 ±.003 [1.02 ±.08] HOLE.
 - A SYMBOL WILL BE NEXT TO ANY DIMENSION, VIEW, OR NOTE WHICH HAS BEEN MODIFIED WITH THE CURRENT DRAWING REVISION.

mat'l code SEE NOTE 2				tolerances unless otherwise specified		CUSTOMER			
ltr	ecn no.	dr	date	linear	.XX±.01/0.XX±0.3	COPY		www.fciconnect.com	
L				linear	.XXX±.005/0.XX±0.13	projection		title	
				angles	.XXX±.0020/.XX±.051			VERTICAL RECEPTACLE W/ GUIDE PIN SIGNAL / POWER	
				dr	0°±2°	INCH/MM		product family	
				enrg	D. EATON 05-25-99	scale		PWRBLADE	
				chr	J. BROWN 05-24-99	1:1		size	
				appd	J. BROWN 05-26-99	A		dwg no	
sheet index	revision sheet							51741	
								code	
								213	
								sheet	
								2	

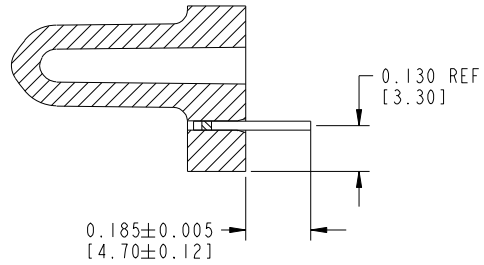
1 | 2 | Pro/E | 3 | cage code 22526 | 4

Tous droits strictement réservés. Reproduction ou communication à des tiers interdite sous quelque forme que ce soit sans autorisation écrite du propriétaire. Propriété de c.FCI. Droits de reproduction FCI.

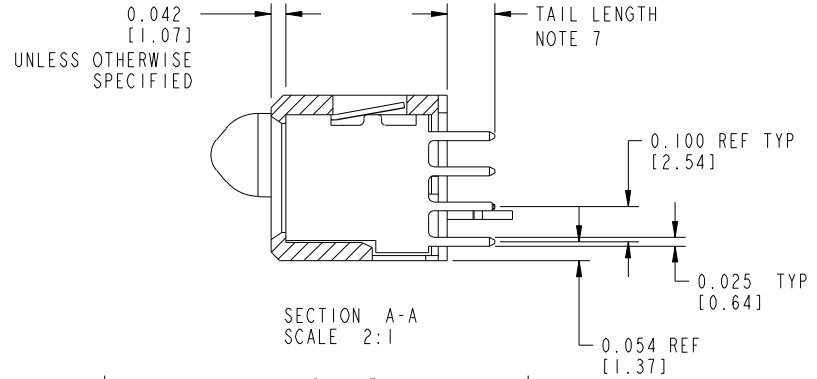


All rights strictly reserved. Reproduction or issue to third parties in any form whatever is not permitted without written authority from the proprietor. Property of FCI. Copyright FCI.

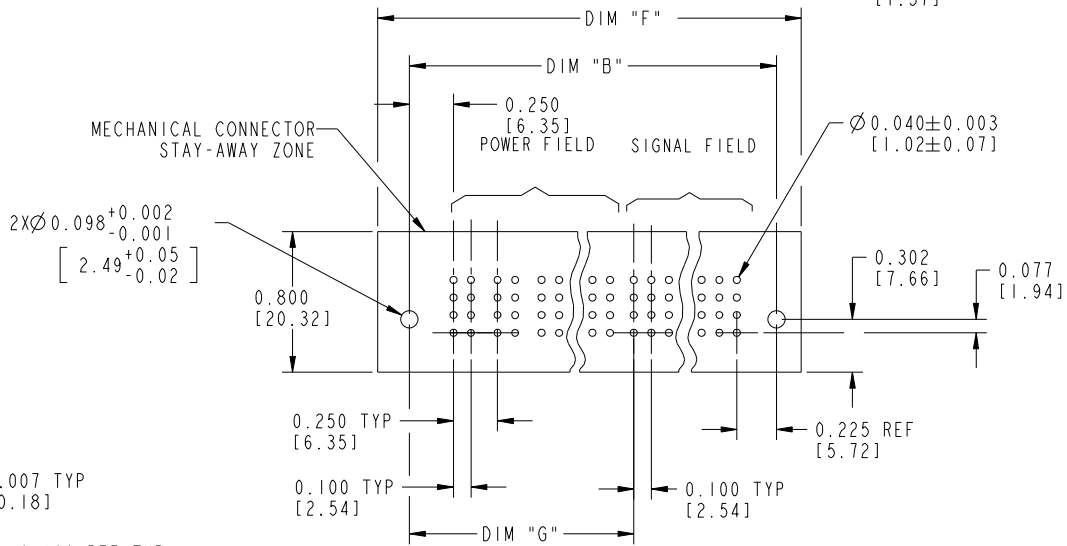
PRODUCT NUMBER
51741-A00CCDDDEF -- NOTE ①
SEE NOTE 1



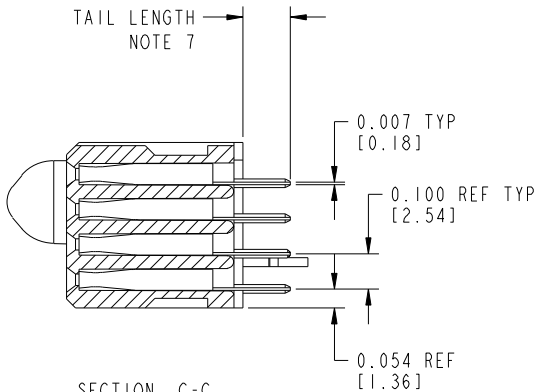
SECTION B-B
SCALE 2:1



SECTION A-A
SCALE 2:1



RECOMMENDED PCB LAYOUT



SECTION C-C
SCALE 2:1

mat'l code		SEE NOTE 2		tolerances unless otherwise specified		CUSTOMER		FCI	
ltr	ecn no.	dr	date	linear	.XX±.01/0.XX±0.3	COPY		www.fciconnect.com	
L				projection	.XXX±.005/0.XX±0.13	title		VERTICAL RECEPTACLE W/ GUIDE PIN SIGNAL / POWER	
				angles	.XXX±.0020/.XX±.051	INCH/MM		product family PWRBLADE code 213	
				dr	0°±2°	scale		size dwg no 51741 sheet 3	
				enr	D. EATON 05-25-99	1:1		cage code 22526	
				chr	J. BROWN 05-24-99				
				appd	J. BROWN 05-26-99				
sheet index	revision sheet								

Pro/E

cage code 22526